

BHT 320°-350°



6000

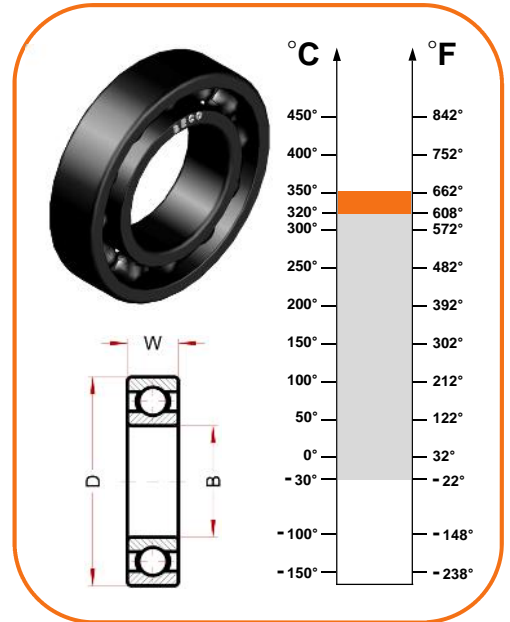
| | ∅ (B) | ∅ (D) | (W) | / | kN 350°C | kN 20°C |
|--------------------|-------|-------|-----|-----|----------|---------|
| 6000 BHT 320°-350° | 10 | 26 | 8 | 282 | 1,35 | 1,96 |
| 6001 BHT 320°-350° | 12 | 28 | 8 | 262 | 1,63 | 2,36 |
| 6002 BHT 320°-350° | 15 | 32 | 9 | 242 | 1,97 | 2,85 |
| 6003 BHT 320°-350° | 17 | 35 | 10 | 222 | 2,24 | 3,25 |
| 6004 BHT 320°-350° | 20 | 42 | 12 | 200 | 3,45 | 5,00 |
| 6005 BHT 320°-350° | 25 | 47 | 12 | 170 | 4,04 | 5,85 |
| 6006 BHT 320°-350° | 30 | 55 | 13 | 130 | 5,52 | 8,00 |
| 6007 BHT 320°-350° | 35 | 62 | 14 | 110 | 7,17 | 10,4 |
| 6008 BHT 320°-350° | 40 | 68 | 15 | 100 | 8,14 | 11,8 |
| 6009 BHT 320°-350° | 45 | 75 | 16 | 90 | 9,86 | 14,3 |
| 6010 BHT 320°-350° | 50 | 80 | 16 | 85 | 10,76 | 15,6 |
| 6011 BHT 320°-350° | 55 | 90 | 18 | 75 | 14,62 | 21,2 |
| 6012 BHT 320°-350° | 60 | 95 | 18 | 70 | 16,00 | 23,2 |
| 6013 BHT 320°-350° | 65 | 100 | 18 | 63 | 17,24 | 25,0 |
| 6014 BHT 320°-350° | 70 | 110 | 20 | 60 | 21,72 | 31,5 |
| 6015 BHT 320°-350° | 75 | 115 | 20 | 50 | 23,45 | 34,0 |
| 6016 BHT 320°-350° | 80 | 125 | 22 | 50 | 27,58 | 40,0 |
| 6017 BHT 320°-350° | 85 | 130 | 22 | 50 | 29,59 | 42,9 |
| 6018 BHT 320°-350° | 90 | 140 | 24 | 50 | 34,41 | 49,9 |
| 6019 BHT 320°-350° | 95 | 145 | 24 | 50 | 37,21 | 53,9 |
| 6020 BHT 320°-350° | 100 | 150 | 24 | 50 | 37,21 | 53,9 |

6200

| | ∅ (B) | ∅ (D) | (W) | / | kN 350°C | kN 20°C |
|--------------------|-------|-------|-----|-----|----------|---------|
| 6200 BHT 320°-350° | 10 | 30 | 9 | 262 | 1,79 | 2,60 |
| 6201 BHT 320°-350° | 12 | 32 | 10 | 242 | 2,14 | 3,10 |
| 6202 BHT 320°-350° | 15 | 35 | 11 | 180 | 2,59 | 3,75 |
| 6203 BHT 320°-350° | 17 | 40 | 12 | 175 | 3,28 | 4,75 |
| 6204 BHT 320°-350° | 20 | 47 | 14 | 150 | 4,52 | 6,55 |
| 6205 BHT 320°-350° | 25 | 52 | 15 | 140 | 5,52 | 8,00 |
| 6206 BHT 320°-350° | 30 | 62 | 16 | 110 | 7,72 | 11,2 |
| 6207 BHT 320°-350° | 35 | 72 | 17 | 100 | 10,55 | 15,3 |
| 6208 BHT 320°-350° | 40 | 80 | 18 | 85 | 12,41 | 18,0 |
| 6209 BHT 320°-350° | 45 | 85 | 19 | 80 | 14,06 | 20,4 |
| 6210 BHT 320°-350° | 50 | 90 | 20 | 75 | 16,55 | 24,0 |
| 6211 BHT 320°-350° | 55 | 100 | 21 | 67 | 20,00 | 29,0 |
| 6212 BHT 320°-350° | 60 | 110 | 22 | 60 | 24,83 | 36,0 |
| 6213 BHT 320°-350° | 65 | 120 | 23 | 53 | 28,62 | 41,5 |
| 6214 BHT 320°-350° | 70 | 125 | 24 | 50 | 30,35 | 44,0 |
| 6215 BHT 320°-350° | 75 | 130 | 25 | 50 | 33,79 | 49,0 |
| 6216 BHT 320°-350° | 80 | 140 | 26 | 50 | 37,93 | 55,0 |
| 6217 BHT 320°-350° | 85 | 150 | 28 | 50 | 44,14 | 64,0 |
| 6218 BHT 320°-350° | 90 | 160 | 30 | 50 | 50,69 | 73,5 |
| 6219 BHT 320°-350° | 95 | 170 | 32 | 50 | 56,21 | 81,5 |
| 6220 BHT 320°-350° | 100 | 180 | 34 | 50 | 64,14 | 93,0 |

6300

| | ∅ (B) | ∅ (D) | (W) | / | 350°C kN | 20°C kN |
|--------------------|-------|-------|-----|-----|----------|---------|
| 6300 BHT 320°-350° | 10 | 35 | 11 | 220 | 2,38 | 3,45 |
| 6301 BHT 320°-350° | 12 | 37 | 12 | 200 | 2,86 | 4,15 |
| 6302 BHT 320°-350° | 15 | 42 | 13 | 180 | 3,72 | 5,40 |
| 6303 BHT 320°-350° | 17 | 47 | 14 | 160 | 4,52 | 6,55 |
| 6304 BHT 320°-350° | 20 | 52 | 15 | 140 | 5,86 | 8,50 |
| 6305 BHT 320°-350° | 25 | 62 | 17 | 110 | 7,86 | 11,4 |
| 6306 BHT 320°-350° | 30 | 72 | 19 | 95 | 11,24 | 16,3 |
| 6307 BHT 320°-350° | 35 | 80 | 21 | 85 | 13,10 | 19,0 |
| 6308 BHT 320°-350° | 40 | 90 | 23 | 75 | 17,24 | 25,0 |
| 6309 BHT 320°-350° | 45 | 100 | 25 | 67 | 22,06 | 32,0 |
| 6310 BHT 320°-350° | 50 | 110 | 27 | 60 | 26,21 | 38,0 |
| 6311 BHT 320°-350° | 55 | 120 | 29 | 53 | 32,76 | 47,5 |
| 6312 BHT 320°-350° | 60 | 130 | 31 | 50 | 35,86 | 52,0 |
| 6313 BHT 320°-350° | 65 | 140 | 33 | 50 | 41,38 | 60,0 |
| 6314 BHT 320°-350° | 70 | 150 | 35 | 50 | 46,90 | 68,0 |
| 6315 BHT 320°-350° | 75 | 160 | 37 | 50 | 52,76 | 76,5 |
| 6316 BHT 320°-350° | 80 | 170 | 39 | 50 | 59,66 | 86,5 |
| 6317 BHT 320°-350° | 85 | 180 | 41 | 50 | 66,55 | 96,5 |
| 6318 BHT 320°-350° | 90 | 190 | 43 | 50 | 74,48 | 108 |
| 6319 BHT 320°-350° | 95 | 200 | 45 | 50 | 81,38 | 118 |
| 6320 BHT 320°-350° | 100 | 215 | 47 | 50 | 96,55 | 140 |



- : AISI 52100
- -
- 4x5
- 51100,51200 51300
- :
- -
- ,
- -



12100 Cuneo - Italy
 Via Volta, 7
 phone: 0039 0171 66883
 fax: 0039 0171 648913
 www.becoitalia.it